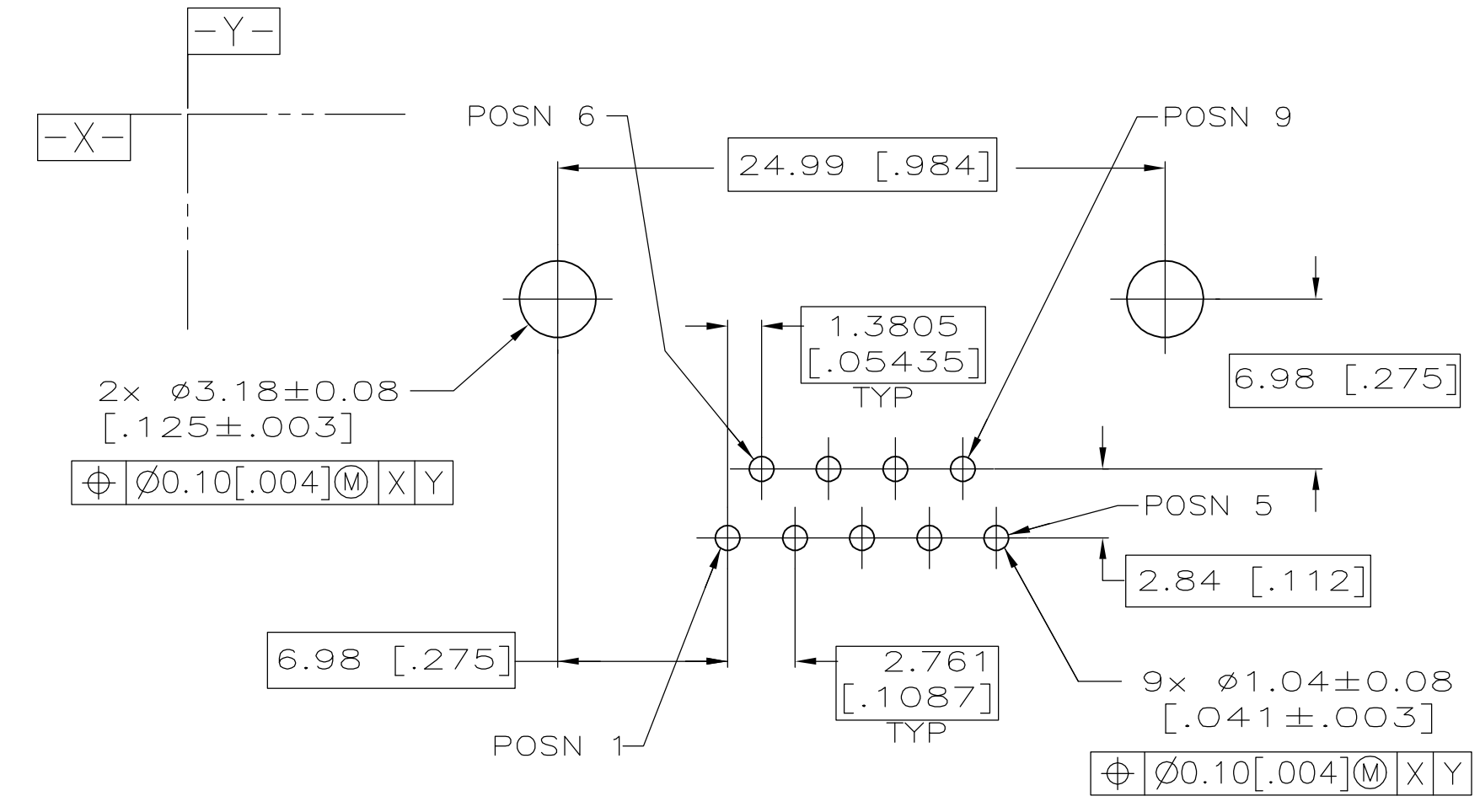
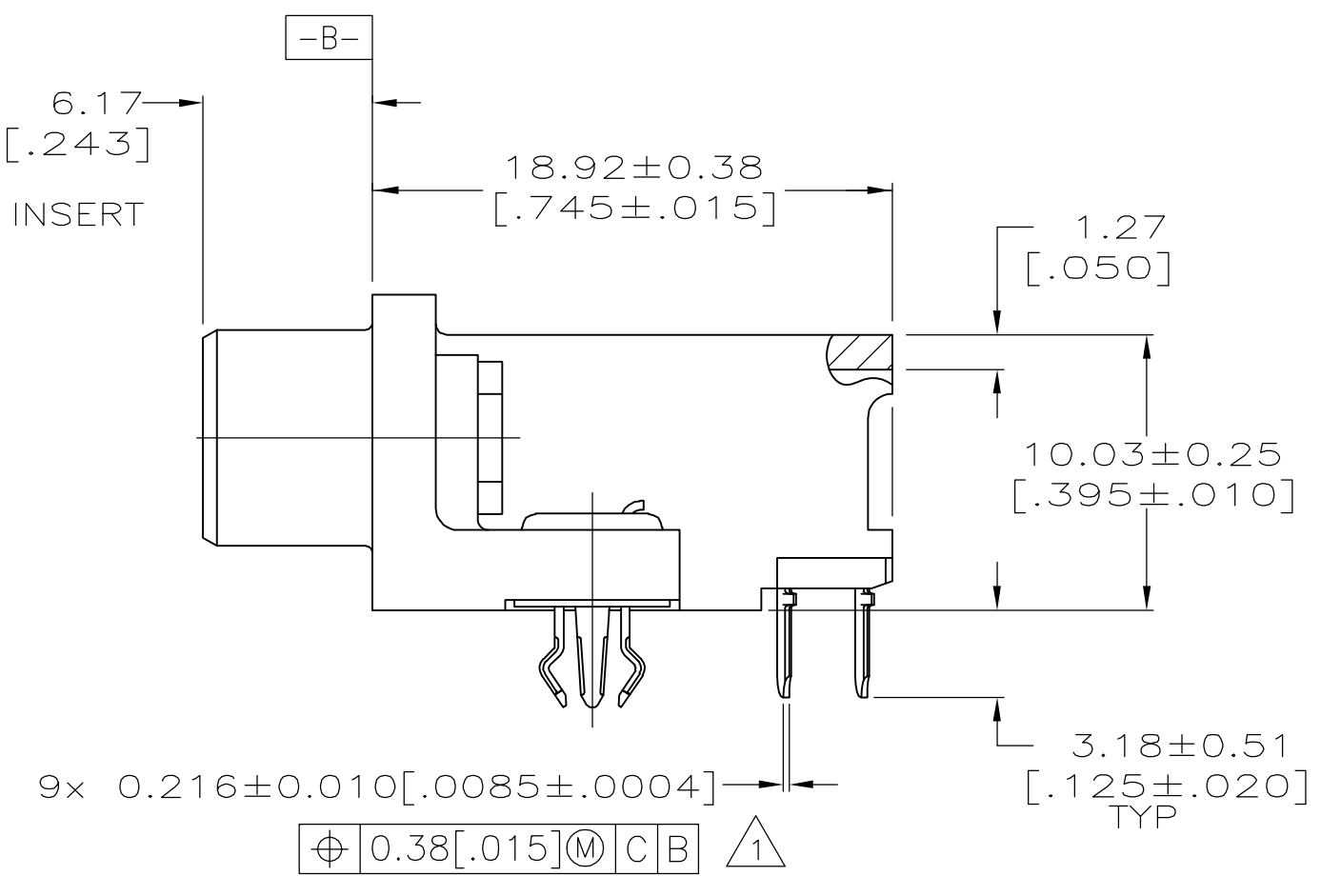
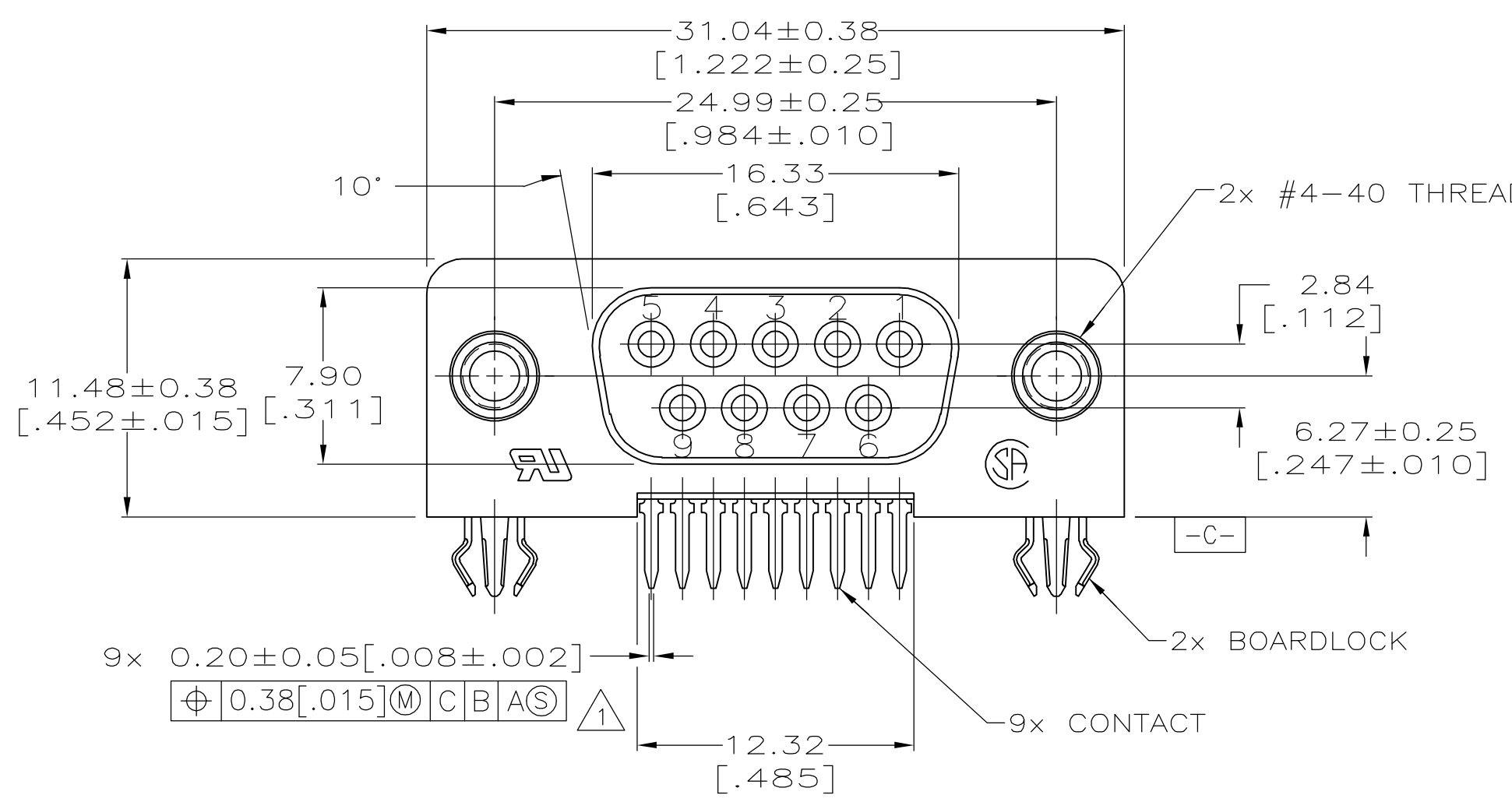
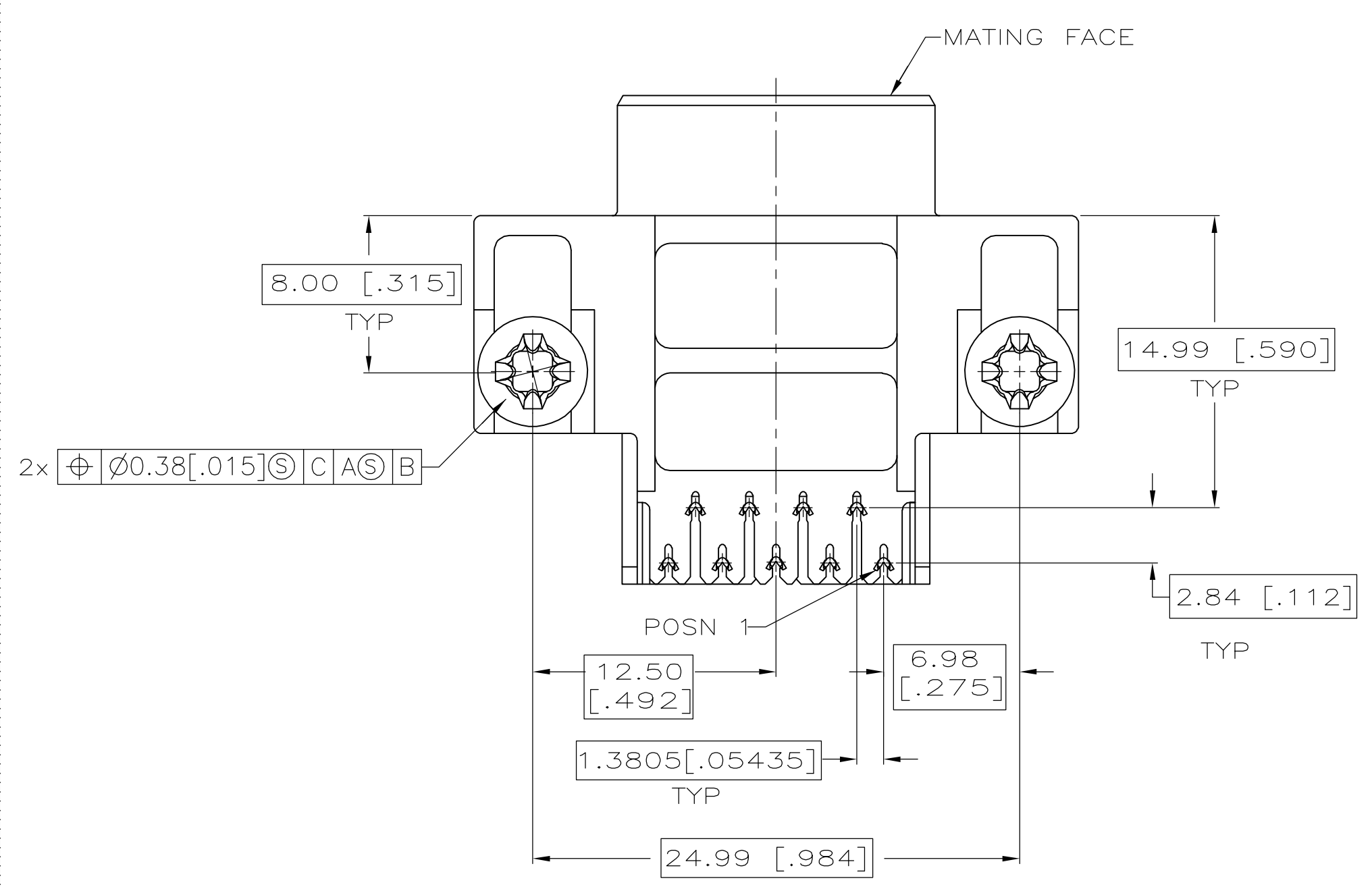


TYCO, PART NO. & DATE CODE, MARKED IN AREA INDICATED



PC BOARD MOUNTING DIMENSIONS
 (1.57 [.062] PC BOARD THICKNESS)

- 1 POSITION TOLERANCE APPLIES AT TIP ONLY.
- 2 HOUSING: FLAME RETARDANT 94V-0 RATED, NYLON OR POLYESTER, COLOR: BLACK.
 CONTACTS: PHOSPHOR BRONZE
 EYELETS: BRASS
 INSERTS: ZINC
 BOARDLOCKS: COPPER ALLOY
- 3 EYELETS: 2.54 μm [.000100] MIN TIN OVER COPPER FLASH.
 BOARDLOCKS: 3.81 μm [.00015] MIN TIN OVER 1.27 μm [.000050] MIN NICKEL.
 CONTACTS: GOLD FLASH FOR A LENGTH OF 1.52 [.060] MIN FROM MATING END, 2.54 μm [.0001] MIN TIN FOR A LENGTH OF 3.68 [.145] MIN FROM OPPOSITE END, BOTH OVER 1.27 μm [.000050] MIN NICKEL.
 INSERTS: CLEAR CHROMATE COATING.



5748907-2
 PART NO

**COPYRIGHT 2005
 TYCO ELECTRONICS CORP
 ALL RIGHTS RESERVED**

| | | | |
|--|--------|--------------------------------|---|
| THIS DRAWING IS A CONTROLLED DOCUMENT. | | DWN G. PETERS 21SEP05 | Tyco Electronics Corporation Harrisburg, PA 17105-3608 |
| DIMENSIONS: mm [INCHES] | | CHK S. BOLASH 21SEP05 | |
| TOLERANCES UNLESS OTHERWISE SPECIFIED: | | APVD M. WALMSLEY 21SEP05 | NAME |
| 0 PLC ± - | | PRODUCT SPEC | RECEPTACLE ASSEMBLY, SIZE 1, 9 |
| 1 PLC ± - | | APPLICATION SPEC | POSN, ALL PLASTIC, RIGHT ANGLE, |
| 2 PLC ± 0.13 [.005] | | SIZE | .590 SERIES, AMPLIMITE III |
| 3 PLC ± - | | CAGE CODE | |
| 4 PLC ± - | | DRAWING NO | |
| ANGLES ± z | | RESTRICTED TO | |
| MATERIAL | FINISH | WEIGHT | |
| CUSTOMER DRAWING | | SCALE | 4:1 |
| | | SHEET | 1 OF 1 |
| | | REV | 0 |